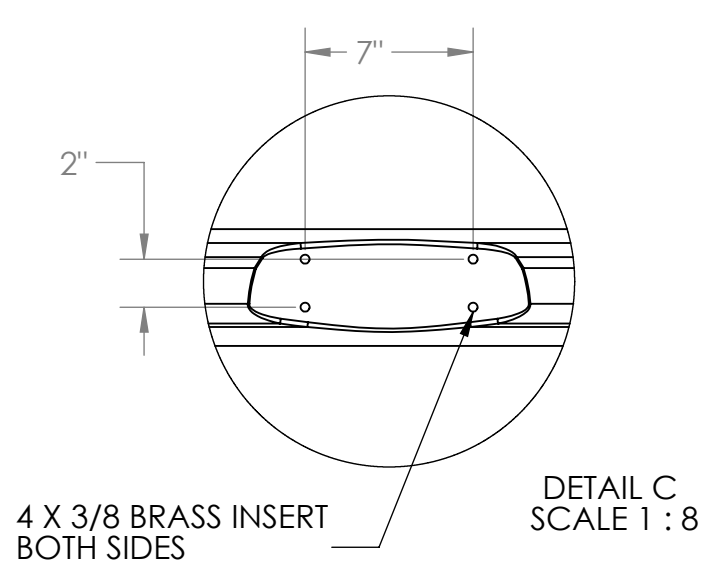
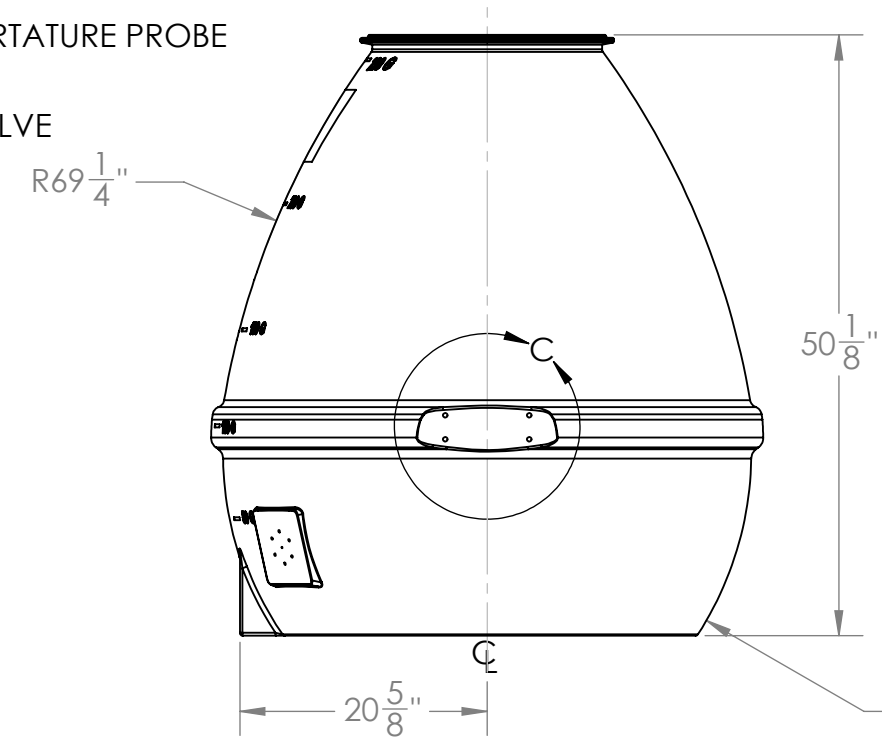
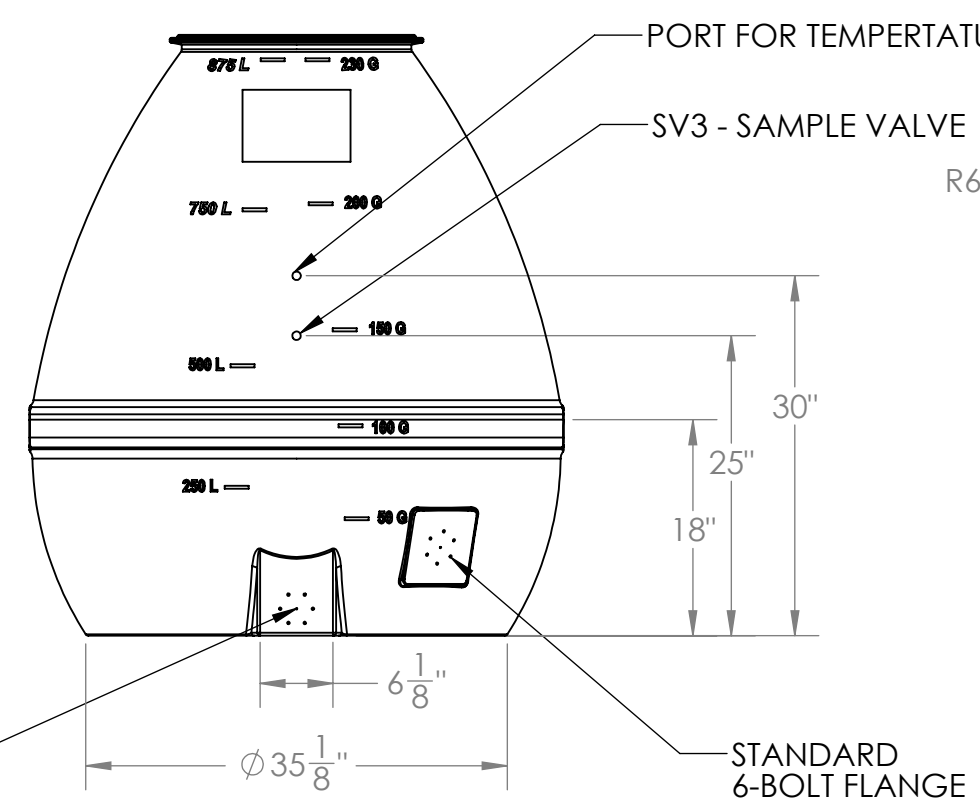
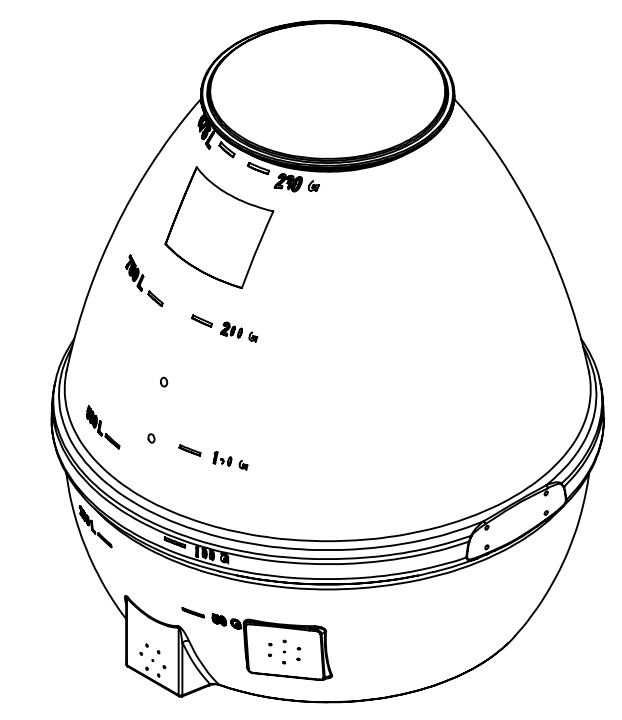
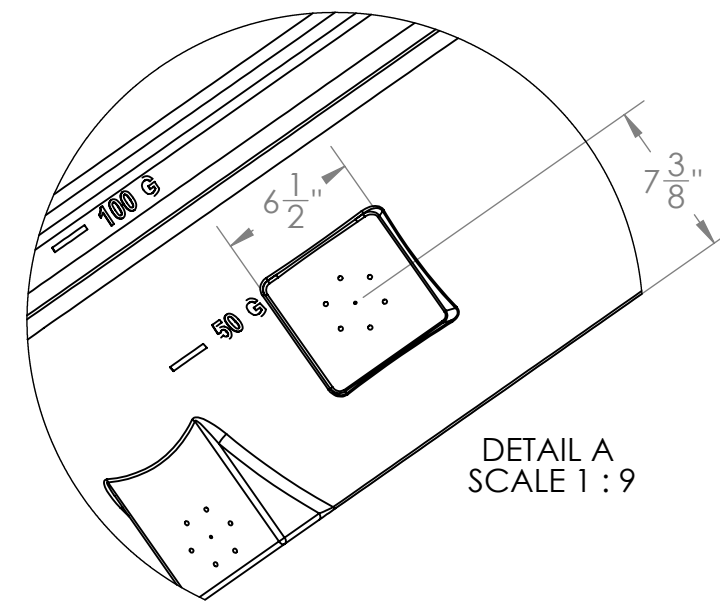
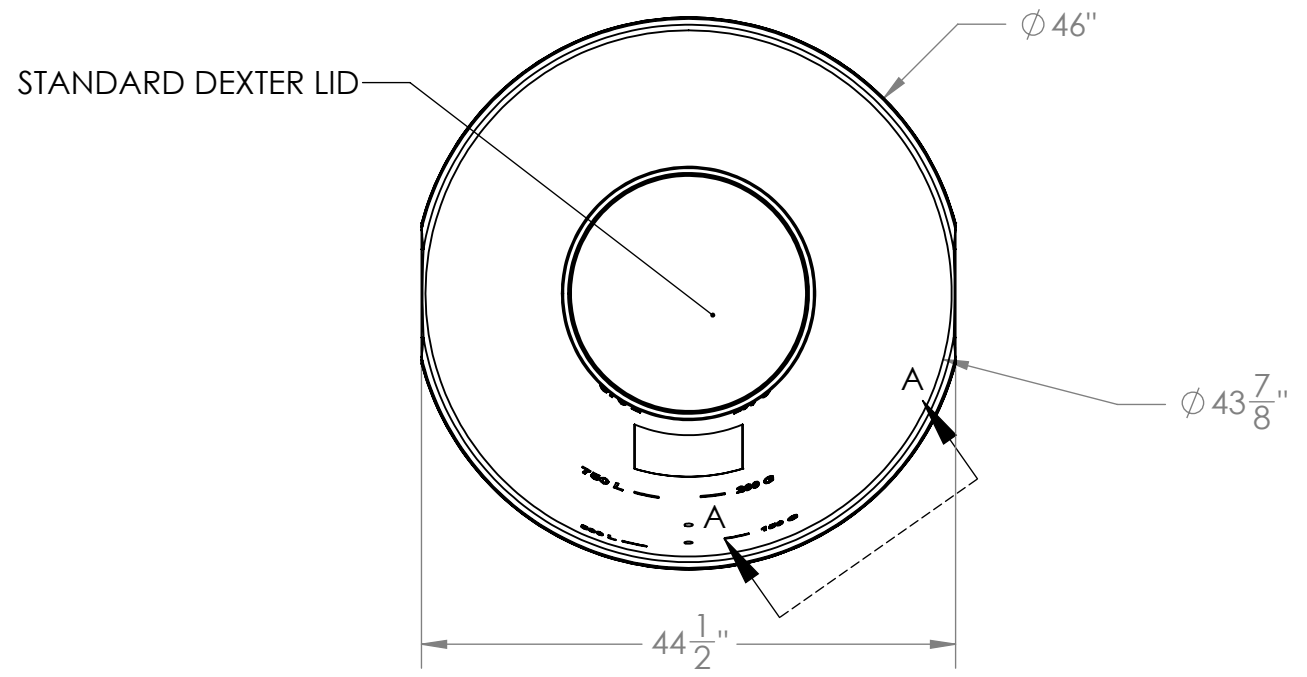


8 7 6 5 4 3 2 1



UNLESS OTHERWISE SPECIFIED:
DIMENSIONS ARE IN INCHES
TOLERANCES:
LINEAR ± 0.01 IN/IN
WARP ± 0.02 IN/IN
RADI ± 15%
ANGULAR ± 4.0°
WALL THICK ± 20%

NAME	DATE
JTS	6/24/11
DRAWN	
CHECKED	
ENG APPR.	
MFG APPR.	
Q.A.	
COMMENTS:	

SmaK PLASTICS INC

TITLE:
875 LITER EGG TANK

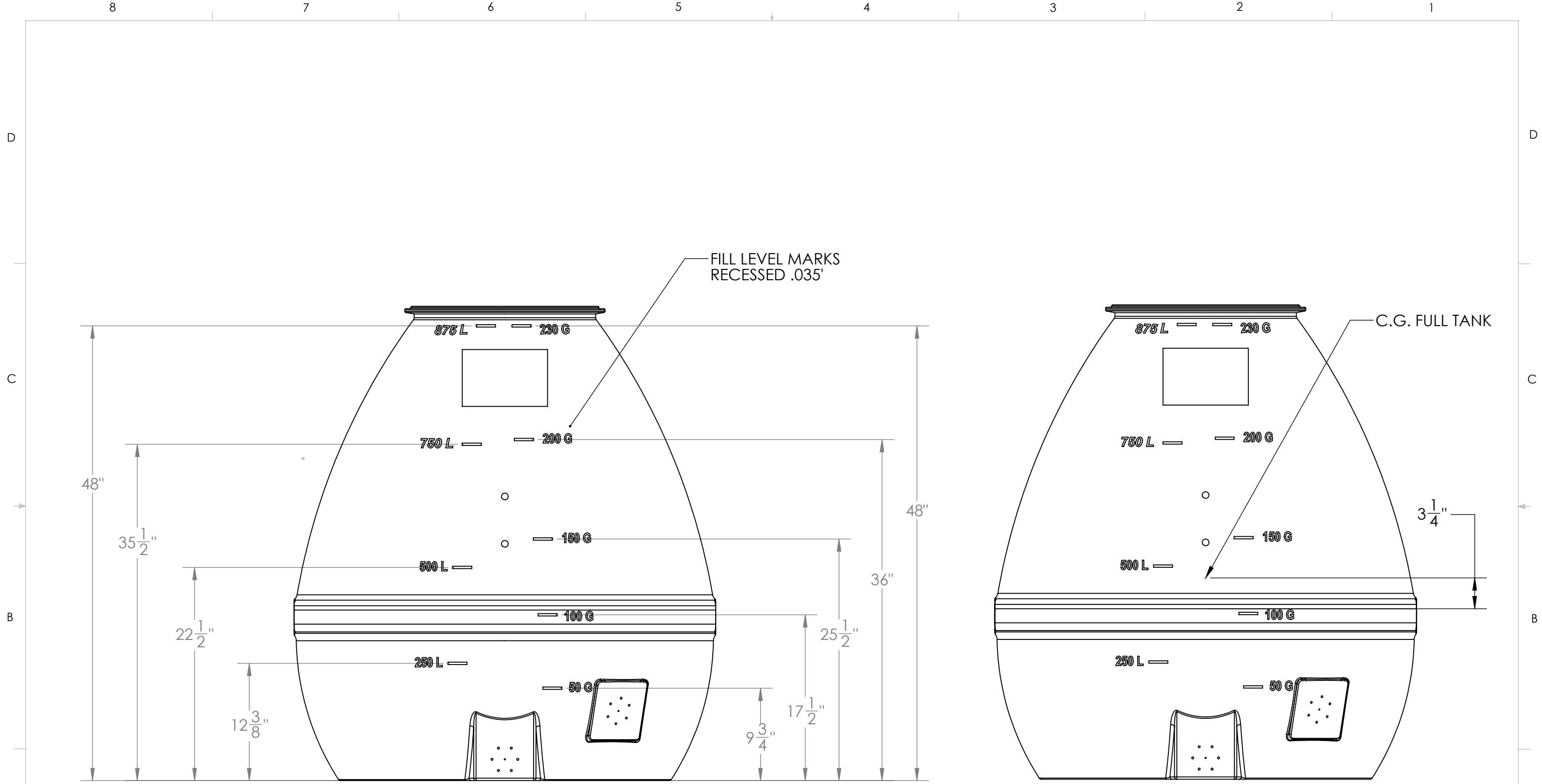
PROPRIETARY AND CONFIDENTIAL
THE INFORMATION CONTAINED IN THIS DRAWING IS THE SOLE PROPERTY OF SmaK PLASTICS INC. ANY REPRODUCTION IN PART OR AS A WHOLE WITHOUT THE WRITTEN PERMISSION OF SmaK PLASTICS INC IS PROHIBITED.

INTERPRET GEOMETRIC TOLERANCING PER:
MATERIAL
FINISH
DO NOT SCALE DRAWING

SIZE	DWG. NO.	REV
B	PRELIMINARY	2

SCALE: 1:16 WEIGHT: SHEET 1 OF 2

8 7 6 5 4 3 2 1



FILL LEVEL MARKS
RECESSED .035'

C.G. FULL TANK

UNLESS OTHERWISE SPECIFIED:

DIMENSIONS ARE IN INCHES

TOLERANCES:

LINEAR ± 0.01 IN/IN

WARP ± 0.02 IN/IN

RADI ± 15%

ANGULAR ± 4.0°

WALL THICK ± 20%

INTERPRET GEOMETRIC TOLERANCING PER:

MATERIAL

FINISH

DO NOT SCALE DRAWING

NAME	JTS	DATE	6/24/11
DRAWN			
CHECKED			
ENG APPR.			
MFG APPR.			
Q.A.			
COMMENTS:			

SmaK PLASTICS INC

TITLE:
875 LITER EGG TANK

SIZE	DWG. NO.	REV
B	PRELIMINARY	2

SCALE: 1:10 WEIGHT: SHEET 2 OF 2

PROPRIETARY AND CONFIDENTIAL
THE INFORMATION CONTAINED IN THIS DRAWING IS THE SOLE PROPERTY OF SmaK PLASTICS INC. ANY REPRODUCTION IN PART OR AS A WHOLE WITHOUT THE WRITTEN PERMISSION OF SmaK PLASTICS INC IS PROHIBITED.