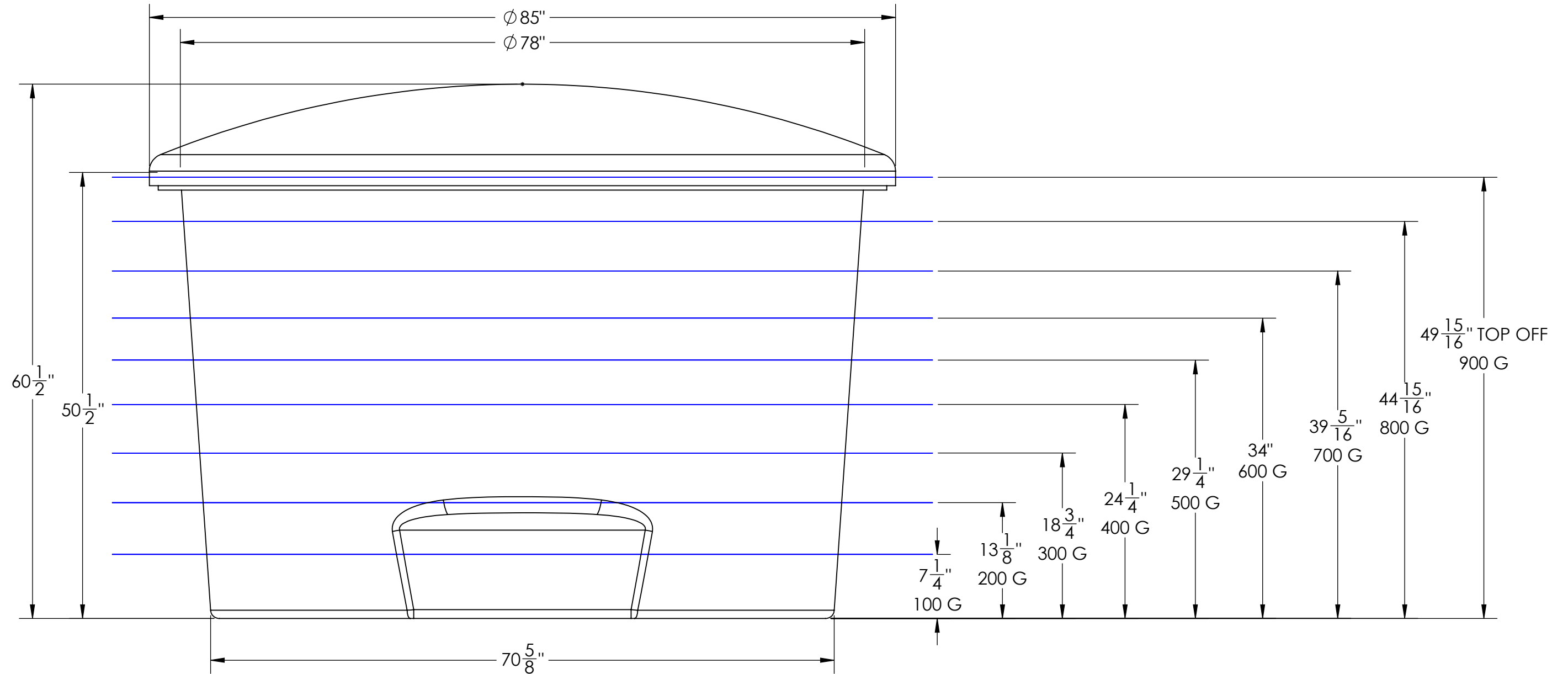


# F 900



- NOTE:
1. GALLON CAPACITIES ARE APPROXIMANT.
  2. CAPACITY WAS FOUND BY USING SOLID MODEL WITH WATER AS THE MEDIUM.